

# DH-SD50230U-HNI

2MP 30x Starlight PTZ Network Camera



- 1/2.8" 2Megapixel Exmor R CMOS
- Powerful 30x optical zoom
- Starlight technology
- H.265 Encoding
- Max. 50/60fps@1080P, 25/30/50/60fps@720P
- Auto-tracking and IVS(Optional)
- Support PoE+
- IP67, IK10 ingress protection



## System Overview

Featuring with powerful optical zoom and accurate pan/tilt/zoom performance, the SD50 series PTZ camera can provide large monitoring range and great detail. The camera delivers 1080P resolution at 50/60 fps, with 30x optical zoom, and has very excellent low light performance due to adopting the latest starlight technology. SD50 series PTZ is equipped with quick and smooth control, high quality image and good protection, which make it can meet most of the requirements of video surveillance applications.

## Functions

### Starlight Technology

Thanks to our experience and expertise in hardware and software development, the camera is equipped with the latest image processing algorithm, high performance hardware and high quality optical components, which make the camera have very excellent low light performance. In most conditions, this camera can deliver clear, bright and low-noise color images.

### Wide Dynamic Range

Embedded with industry leading wide dynamic range (WDR) technology, vivid pictures are achieved even in the most intense contrast lighting conditions. For applications with both bright and low lighting conditions that change quickly, true WDR (120dB) optimizes both the bright and dark areas of a scene at the same time to provide usable video.

### Auto-tracking

The camera supports auto-tracking. The tracking action can be triggered manually or automatically by defined rules. Once rules are triggered, the camera can zoom in and track the defined target automatically.

### H.265

The camera supports H.265 encoding, which provides a savings of more than 50% of bandwidth and storage compared with H.264. This technology can help our customers to reduce the cost of the project and improve the transmission efficiency.

### Environmental

With a temperature range of -40 °C to +60 °C (-40 °F to +140 °F), the camera is designed for extreme temperature environments. The camera complies to an IK10 impact rating making it capable of withstanding the equivalent of 55 kg (120 lbs) of force. Subjected and certified to rigorous dust and water immersion tests, the IP67 rating makes it suitable for demanding outdoor applications.

### Protection

This camera suits even the harsh conditions for outdoor applications. Its 6KV lightning rating provides protection against the camera and its structure from the effects of lightning.

### Interoperability

The camera conforms to the ONVIF (Open Network Video Interface Forum) and PSIA (Physical Security Interoperability Alliance) specifications, ensuring interoperability between network video products regardless of manufacturer.

### Technical Specification

#### Camera

Image Sensor	1/2.8" Exmor R CMOS
Effective Pixels	1920(H) x 1080(V), 2 Megapixels
RAM/ROM	512M/128M
Scanning System	Progressive
Minimum Illumination	Color: 0.005Lux@F1.6; B/W: 0.0005Lux@F1.6
S/N Ratio	More than 55dB
IR Distance	N/A
IR On/Off Control	N/A
IR LEDs	N/A

#### Lens

Focal Length	4.5mm~135mm
Max. Aperture	F1.6 ~ F4.4
Angle of View	H: 67.8° ~ 2.4°
Optical Zoom	30x
Focus Control	Auto/Manual
Close Focus Distance	100mm~ 1000mm

#### PTZ

Pan/Tilt Range	Pan: 0° ~ 360° endless; Tilt: 0° ~ 90°, auto flip 180°
Manual Control Speed	Pan: 0.1° ~ 350° /s; Tilt: 0.1° ~ 250° /s
Preset Speed	Pan: 500° /s; Tilt: 500° /s
Presets	300
PTZ Mode	5 Pattern, 8 Tour, Auto Pan ,Auto Scan
Speed Setup	Human-oriented focal Length/ speed adaptation
Power up Action	Auto restore to previous PTZ and lens status after power failure
Idle Motion	Activate Preset/ Scan/ Tour/ Pattern if there is no command in the specified period
Protocol	DH-SD

#### Intelligence

Auto Tracking	Support
IVS (optional)	Tripwire, Intrusion, Abandoned/Missing, Face Detection

#### Video

Compression	H.265/H.264 / MJPEG	
Streaming Capability	3 Streams	
Resolution	1080P(1920×1080)/720P(1280×720)/D1(704×576/704×480)/CIF(352×288/352×240)	
Frame Rate	Main stream	1080P/720P/D1(1~50/60fps),
	Sub stream1	D1/CIF(1 ~ 25/30fps)
	Sub stream2	1080P/720P/D1/ CIF (1 ~ 25/30fps)

Bit Rate Control	CBR/VBR
Bit Rate	H.265/H.264: 448K ~ 8192Kbps, MJPEG: 5120K ~ 10240Kbps
Day/Night	Auto(ICR) / Color / B/W
Backlight Compensation	BLC / HLC / WDR (120dB)
White Balance	Auto,ATW,Indoor,Outdoor,Manual
Gain Control	Auto / Manual
Noise Reduction	Ultra DNR (2D/3D)
Motion Detetion	Support
Region of Interest	Support
Electronic Image Stabilization (EIS)	N/A
Defog	Support
Digital Zoom	16x
Flip	180°
Privacy Masking	Up to 24 areas

#### Audio

Compression	G.711a/G.711u(32kbps)/PCM(128kbps)
-------------	------------------------------------

#### Network

Ethernet	RJ-45 (10/100Base-T)
Protocol	IPv4/IPv6,HTTP,HTTPS,SSL,TCP/IP, UDP,UPnP, ICMP,IGMP,SNMP,RTSP,RTP, SMTP, NTP,DHCP, DNS,PPPOE,DDNS,FTP, IP Filter,QoS,Bonjour,802.1x
Interoperability	ONVIF, PSIA, CGI
Streaming Method	Unicast / Multicast
Max. User Access	20 users
Edge Storage	NAS (Network Attached Storage),Local PC for instant recording, 128GB
Web Viewer	IE10/Google/Firefox/Safari...
Management Software	Smart PSS, DSS
Smart Phone	iPhone, iPad, Android, Windows Phone

#### Certifications

Certifications	CE: EN55032/EN55024/EN50130-4 FCC: Part15 subpartB,ANSI C63.4- 2014 UL: UL60950-1+CAN/CSA C22.2.No.60950-1
----------------	--

#### Interface

Video Interface	N/A
Audio Interface	1/1
RS485	N/A
Alarm	2/1

#### Electrical

Power Supply	AC24V/1.5A(±10%), PoE+(802.3at)
Power Consumption	13W,23W (Heater on)

Environmental

Operating Conditions	-40°C ~ 60°C (-40°F ~ +140°F) / Less than 90% RH
Ingress Protection	IP67
Vandal Resistance	IK10

Construction

Casing	Metal
Dimensions	Φ186.0(mm) x 253(mm)
Net Weight	2.5kg(5.51lb)
Gross Weight	4.5kg(9.92lb)

Ordering Information

Type	Part Number	Description
2MP PTZ Camera	DH-SD50230U-HNI	2MP 30x Starlight PTZ Network Camera, WDR, PAL
	DH-SD50230UN-HNI	2MP 30x Starlight PTZ Network Camera, WDR, NTSC
	SD50230U-HNI	2MP 30x Starlight PTZ Network Camera, WDR, PAL
	SD50230UN-HNI	2MP 30x Starlight PTZ Network Camera, WDR, NTSC
Accessories	PFB300S	Wall Mount
	PFA110	Mount Adapter
	AC24V/1.5A	Power Supply
	PFA140	Power box
	PFB300C	Ceiling Mount
	PFA120	Water-proof Junction Box
	PFA150	Pole Mount
	PFA151	Corner Mount
PFB303S	Parapet mount	

Accessories

Included:



PFB300S  
Wall Mount



PFA110  
Mount Adapter



AC24V/1.5A  
Power Supply

Optional:



PFA140  
Power box



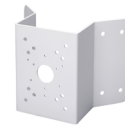
PFB300C  
Ceiling Mount



PFA120  
Junction Box



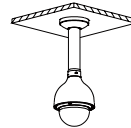

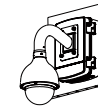
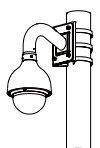
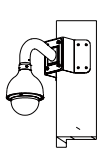
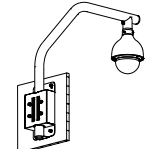
PFA150  
Pole Mount



PFA151  
Corner Mount



PFB303S  
Parapet Mount

Ceiling Mount	Junction Mount
PFA110 + PFB300C	PFA110 + PFB300S + PFA120
	
Power Box Mount	Pole Mount
PFA110 + PFB300S + PFA140	PFA110 + PFB300S + PFA150
	
Corner Mount	Parapet Mount
PFA110 + PFB300S + PFA151	PFA110 + PFB303S
	

Dimensions (mm)

