



# SL-100 Fail-safe Type Deadbolt Lock



- Door position detection output, available for security unit use.
- Fail-safe (power to lock) electric lock suitable for all types of 90~180° door or fire exit.
- Special wearable design. Mechanic life of more than 1,000,000 times.
- Micro computer door position detection and current control to prevent error action and lower the lock's temperature.
- Stainless steel bolt is able to sustain more than 1000 kg of shear force.
- Built-in photo coupler door open push button input contact. Door will lock again automatically when door is not open within 5 seconds.

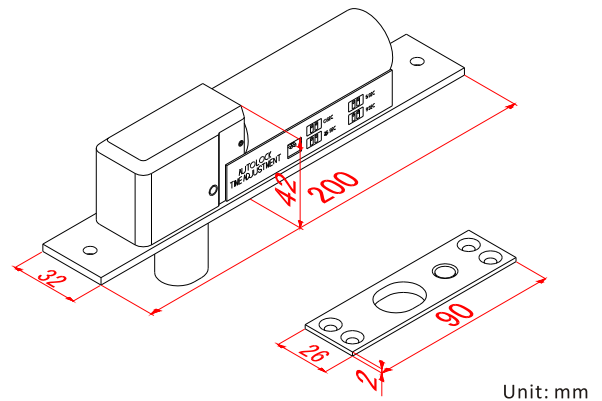
## Specification

	SL-100B	SL-100U	
Power Supply	DC 12V	DC 12V	DC 24V
Operation current	900mA	950mA	450mA
Holding current	360mA	350mA	180mA
Relock Function	×	Maximum 60 times	
Door Positions Sensor	N.C. & N.O.		
Application	all types of 90~180° door		
Delay Time	0, 2.5, 5, 9 Sec. ( Available to set)		
Mechanic life	more than 1,000,000 times		
Door Open Contact	Photo coupler contact		
Overloaded Current Protection	×	Available	
Operation temperature	60°C ±5°C ( Room temperature 30°C )		
Range of the door crack	Maximum of 10 mm		
Legth of bolt	16mm		
Weight	860g (included wrapping)		

## Series Model

SL-100B :DC12V, Without relock function  
 SL-100U :DC12~24, With relock function

## Dimensions



## Related Products (Optional)

BR-100 Bracket	UB-100 Glass holder	BR-100C
[ Installation ]	[ Installation ]	[ Installation ]

## Structure Diagram

